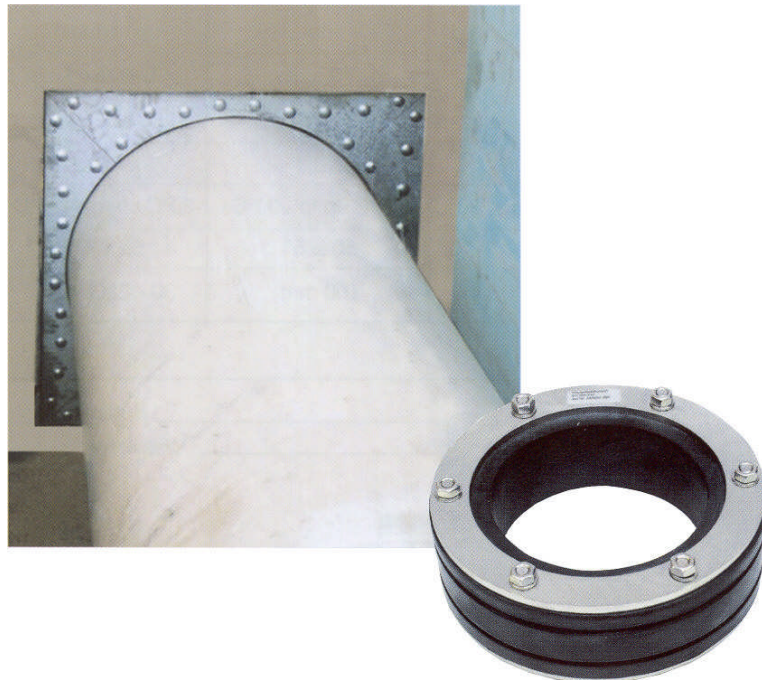




SPECIAL SEALINGS

Compakt-Standard Compakt-Plus



General information

The sealing system

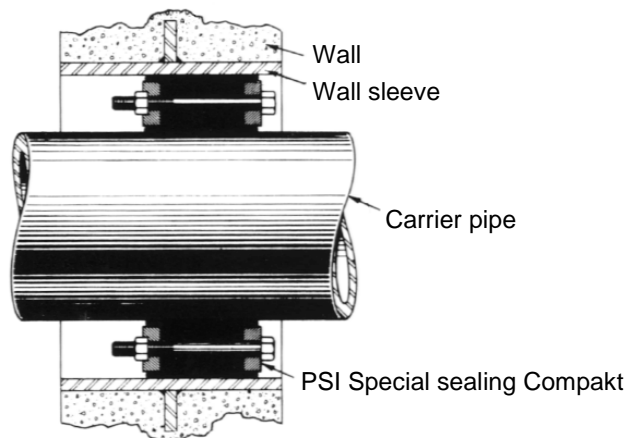
The new PSI sealing system Kompakt is the perfect complement to our LINK SEAL® modular system. It offers ideal sealing for wall opening of gas, water and sewage pipes as well as for cables. The Kompakt sealing is a pressure tight system.

Description

The 40 mm wide rubber element is pressed by means of two metallic discs. The PSI Kompakt seals the annular space between the carrier pipe and the casing pipe or the core drilled hole against water or gas. PVC, steel and asbestos-free fibre cement sleeves.

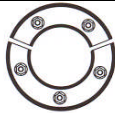
Accessories				
	Kompakt Standard	Kompakt Plus	Kompakt FW 80 for district heating pipes	Kompakt tailor made
Pressure plates	S304	S304	S304	S304/S316 alt.
Closed	Standard	Standard	Standard	Standard
Devided	Available	Available	-	Available
Pressure tightness	2,0 bar	2,0 bar	2,0 bar	1,5 bar
Drinking water	no	yes	no	on request
Rubber thickness	40 mm	40 mm	2x40 mm	<I.D. 800 40 mm >O.D. 800 80 mm
Rubber quality	EPDM	EPDM	EPDM	EPDM
Temperature range	-30°C up to +120°C	-30°C up to +120°C	-30°C up to +120°C	-30°C up to +120°C
Shore	45 ± 5°	40 ± 5°	45 ± 5°	50 ± 5°
Wall opening min/max	50-400 mm	70-300 mm	150-400 mm	30-2200 mm

Sectional drawing of a PSI Special sealing type Kompakt



1.7.4.2

Selection guide

				
Core drilled hole e.g. wall sleeve mm	Carrier pipe in mm		Description	S304-pressureplates divided version bolts S304 Item no.
	min.	max.		
50	6	12		*
70	10	22		*
70	25	32	Compakt	211-6202
70	32	41	Compakt	211-6203
80	20	28	Compakt-Plus	211-6204
80	32	40	Compakt-Plus	211-6205
80	46	52	Compakt	211-6206
100	15	22		*
100	20	28	Compakt	*
100	32	40	Compakt-Plus	211-6209
100	36	44	Compakt-Plus	211-6210
100	46	56	Compakt-Plus	211-6211
100	55	65	Compakt	211-6212
119 (KG DN 125)	45	54	Compakt	*
119 (KG DN 125)	55	64	Compakt	*
119 (KG DN 125)	70	77	Compakt	*
125	55	64	Compakt-Plus	211-6216
125	70	78	Compakt-Plus	211-6217
150	46	54	Compakt	211-6218
150	56	66	Compakt	211-6219
150	69	78	Compakt	*
150	79	91	Compakt-Plus	211-6221
150	85	94	Compakt	*
150	98	110	Compakt-Plus	211-6223
191 (KG DN 200)	106	115	Compakt	*
191 (KG DN 200)	114	126	Compakt	*
191 (KG DN 200)	132	141	Compakt	*
200	88	103	Compakt	211-6227
200	108	115	Compakt-Plus	211-6228
200	116	126	Compakt-Plus	211-6229
200	132	141	Compakt-Plus	211-6230
200	135	144	Compakt	*
200	150	160	Compakt	211-6232
250	135	144	Compakt	*
250	150	159	Compakt	*
250	157	162	Compakt	211-6235
250	168	181	Compakt-Plus	211-6236
250	178	187	Compakt	*
250	190	205	Compakt	211-6238
250	200	212	Compakt	211-6239
300	178	187	Compakt	*
300	199	204	Compakt	211-6241
300	218	226	Compakt	211-6242
350	224	233	Compakt	*
350	240	252	Compakt	211-6244
350	249	258	Compakt	*
350	270	282	Compakt	211-6246
350	285	296	Compakt	211-6247
400	270	285	Compakt	211-6248
400	279	288	Compakt	*
400	304	313	Compakt	*
400	314	323	Compakt	*
400	320	330	Compakt	211-6252

*special versions/sizes on request

**Special sealing for KMR
Order submittal sheet**

Core drilled hole e.g. wall sleeve mm	Carrier pipe in mm		Description	S304-pressureplates bolts S304 Rubber thickness 40 mm Item no.	S304-pressureplates bolts S304 Rubber thickness 2x40 mm Item no.
	min.	max.			
125	70	78	Compakt-Plus	211-6260	211-6280
150	69	78	Compakt	211-6261	211-6281
150	85	94	Compakt	211-6262	211-6282
200	108	115	Compakt-Plus	211-6263	211-6283
200	119	128	Compakt	211-6264	211-6284
200	135	144	Compakt	211-6265	211-6285
250	135	144	Compakt	211-6266	211-6286
250	150	159	Compakt	211-6267	211-6287
250	156	165	Compakt	211-6268	211-6288
250	168	181	Compakt-Plus	211-6269	211-6289
250	178	187	Compakt	211-6270	211-6290
300	178	187	Compakt	211-6271	211-6291
300	198	207	Compakt	211-6272	211-6292
350	224	233	Compakt	211-6273	211-6293
350	249	258	Compakt	211-6274	211-6294
400	279	288	Compakt	211-6275	211-6295
400	304	313	Compakt	211-6276	211-6296
400	314	323	Compakt	211-6277	211-6297

Technical modifications reserved

10-05-211

1.7.4.4